

MONTERINGSVEJLEDNING

Sensor, Vind og Regn

Type AWR 24/250

OPERATING INSTRUCTIONS

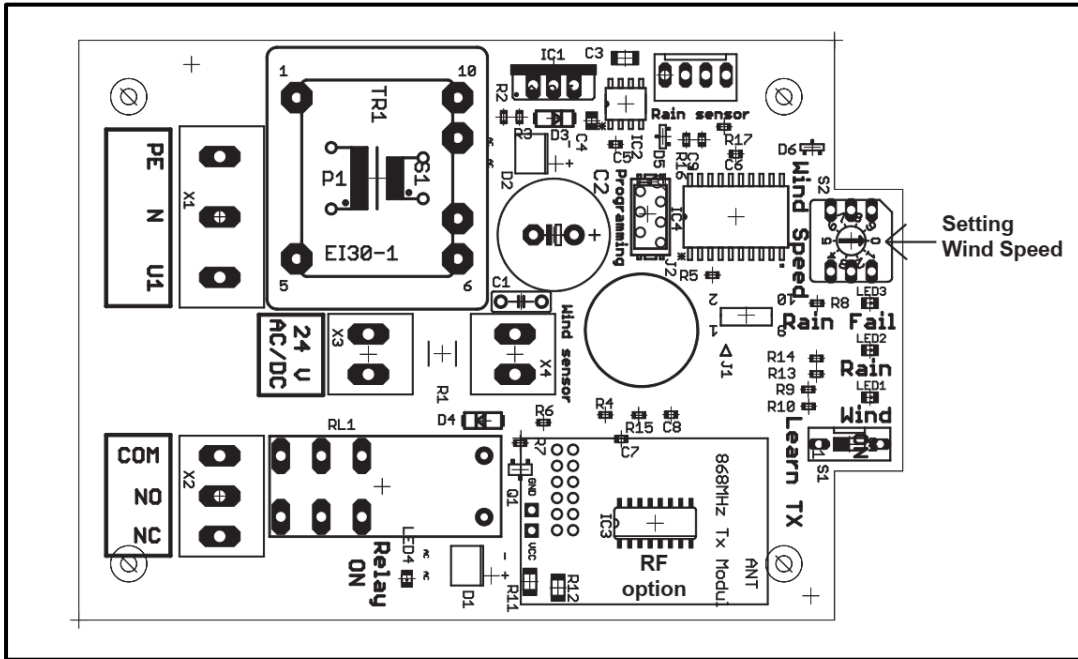
Sensor, Wind and Rain



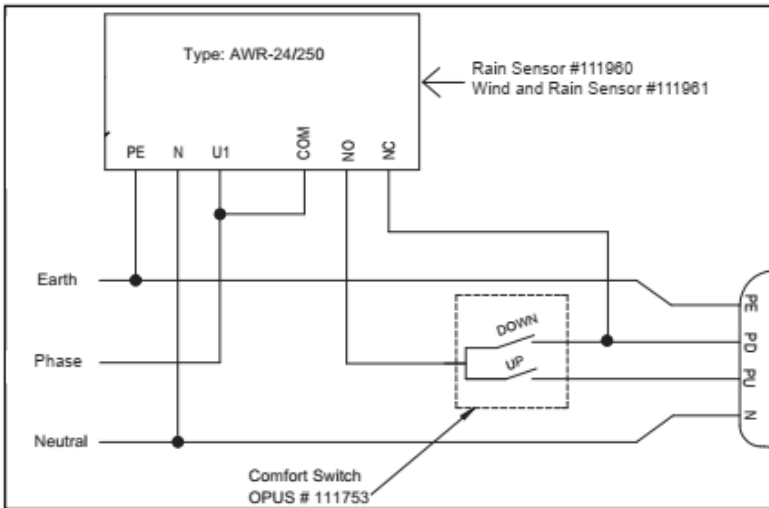
#10700111



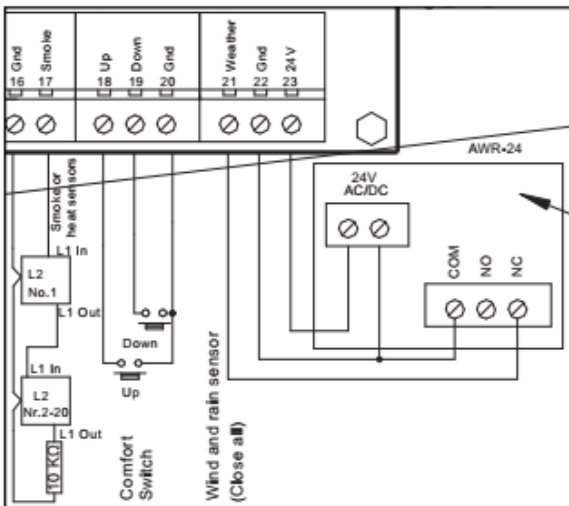
#110700110



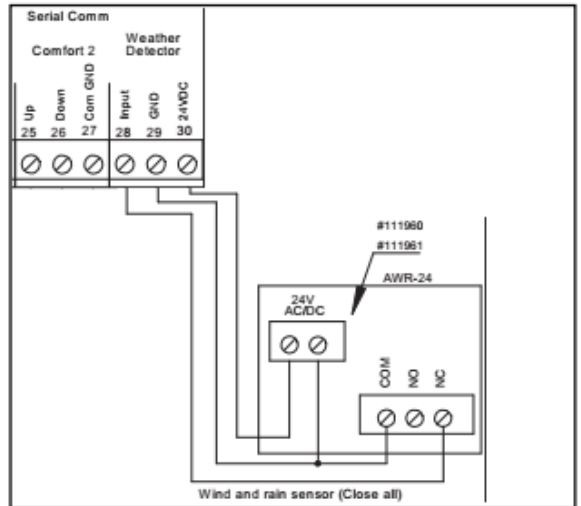
COMFORT



SVM



SV



Vigtig information!

Læs vejledningen omhyggeligt, før installationen. Opbevar vejledningen til senere brug

- Sensoren skal monteres i henhold til gældende national lovgivning.
- Før montering og nedtagning af sensoren samt vedligeholdelse og service skal strømmen være afbrudt, og det sikres at den ikke uforvarende kan tilsluttes igen.

Bliver sensoren aktiveret, lukker motoren automatisk vinduet.

Vigtigt: Stik aldrig en hånd eller lignende ud af vinduet før strømmen er afbrudt.

Sensoren må ikke males eller lakeres.

Snæv på sensoren kan medføre funktionsproblemer.

Rengør derfor sensoren med en våd, blød klud 1-2 gange om året eller efter behov.

Beskrivelse

Vind- og regnsensor (#10700110) består af et vindhjul og en regnfølerflade. Den er beregnet til automatisk styring af brand- og komfortventilationsanlæg.

Vind- og regnsensoren er bestykket med en potentialfri skiftekontakt med en kontaktbelastningsevne på 250V/8A eller 24V/8A.

I tilfælde af vind og/eller regn aktiveres skiftekontakten. Indstillingerne for vindudløsningspunktet justeres v.h.a. drejekontakten.

Regnsensor (#10700111) består af en regnfølerflade på sensorlåget. Den er beregnet til automatisk styring af brand- og komfortventilationsanlæg.

Regnsensoren er bestykket med en potentialfri skiftekontakt med en kontaktbelastningsevne på 250V/8A eller 24V/8A.

I tilfælde af regn aktiveres skiftekontakten.

Teknisk Data

Forsyningsspænding:	18V til 35V AC / 20V til 35V DC / 200V til 250V AC
Strømforbrug	2 W
kontaktudgang	1 x potentialfri skiftekontakt
Kontaktbelastning	250VAC / 8A or 24VDC / 8A
Mål	80 x 180 x 230 mm (BxHxD / med vindhjul)
Vægt	0,8 kg.
IP-Værdi	IP65
Indstil. Af Vindudløsning	ca. 0 til 9 m/s (±20 %)
CE- mærkning	Iht. EMC-direktivet og Lavspændingsdirektivet
Vedligehold	Rengør sensoren regelmæssigt afhængigt af tilsmudsningsgrad

Important information!

- Read instructions carefully before installation. Keep the instructions for future reference.
- The sensor should be installed in accordance with current national legislation.
- Disconnect from mains supply before installation or removal of the sensor and before carrying out any maintenance or service work and ensure that it cannot be reconnected unintentionally during this time.
- If the sensor gets activated, the window operator automatically closes the window. For personal safety, never have your hand or body out of the window without disconnecting from mains supply.
- Do not paint or lacquer the rain sensor.
- Dirt on the sensor may cause operating problems. Therefore, it is recommended to clean the rain sensor with a soft wet cloth once or twice a year or when required.

Description

The wind/rain sensor (#10700110) consists a wind wheel and a rain sensor surface. This sensor is used for the automatic control of Smoke Control Units and ventilation central units.

The wind/rain sensor is equipped with a potential free change-over contact having a contact rating of 250V/8A or 24V/8A.

In case of wind and/or rain, the change-over contact will be activated.

The settings for the wind trigger point is done by adjusting the rotary switch.

The rain sensor (#10700111) consists a rain sensor surface.

This sensor is used for the automatic control of smoke ventilation and comfort ventilation units.

The rain sensor is equipped with a potential free change-over contact having a contact rating of 250V/8A or 24V/8A.

In case of rain, the change-over contact will be activated.

Technical Data

Supply voltage:	18V to 35V AC / 20V to 35V DC / 200V to 250V AC
Power consumption	2 W
Circuit output	1. pcs. Potential free change-over contact
Switching capacity	250VAC / 8A or 24VDC / 8A
Sensor dimensions	80 x 180 x 230 mm (WxHxD / with wind wheel)
Sensor weight	0.8 kg
Sensor protection type	IP65
Setting of the wind mode	approx. 0 to 9 m/s ($\pm 20\%$)
CE sign	in accordance with the EMC directive and the low voltage directive
Cleaning	clean the sensor regularly depending on the degree of soiling

Operation / Function

Triggering by wind #10700110

When the wind sensor trips the green "**Wind**" LED is lit.

After 5 seconds of activation time the potential free contact switches, and the green "**Relay ON**" LED turns off.

Wind Speed Settings

Wind speed for the trigger point can be adjusted on the rotary switch in bottom of the box: 1-9 m/s

NOTE! Factory setting = 0 = Test Set the switch to the desired max. wind speed

Wind intensity	m/s	Delay on release (wind and rain)
Test	0	10 Seconds
Light air	1	10 minutes
Light breeze	2	10 minutes
Light to gentle breeze	3	10 minutes
Gentle breeze	4	10 minutes
Gentle to moderate breeze	5	10 minutes
Moderate breeze	6	10 minutes
Moderate to fresh breeze	7	10 minutes
Fresh breeze	8	10 minutes
Fresh to strong breeze	9	10 minutes

Triggering by rain #10700111

When the rain sensor trips the green "Rain" LED is lit.

After 5 seconds of activation time the potential free contact switches, and the green "Relay ON" LED turns off.

If the rain sensor is not mounted the "Rain fail" LED will flash yellow.

RF- Transmitter 11700115

It is possible to have the weather sensor with RF transmission to the control panel, Actuator or motor. Then the RF transmitter #11700115 has to be mounted in the socket. The remote transmitter needs to be paired with the receiver, which is done by setting the "Learn TX" DIP to "ON" and then press the program button on the receiver until the LED

indicator lit, then release it and the LED turns off

